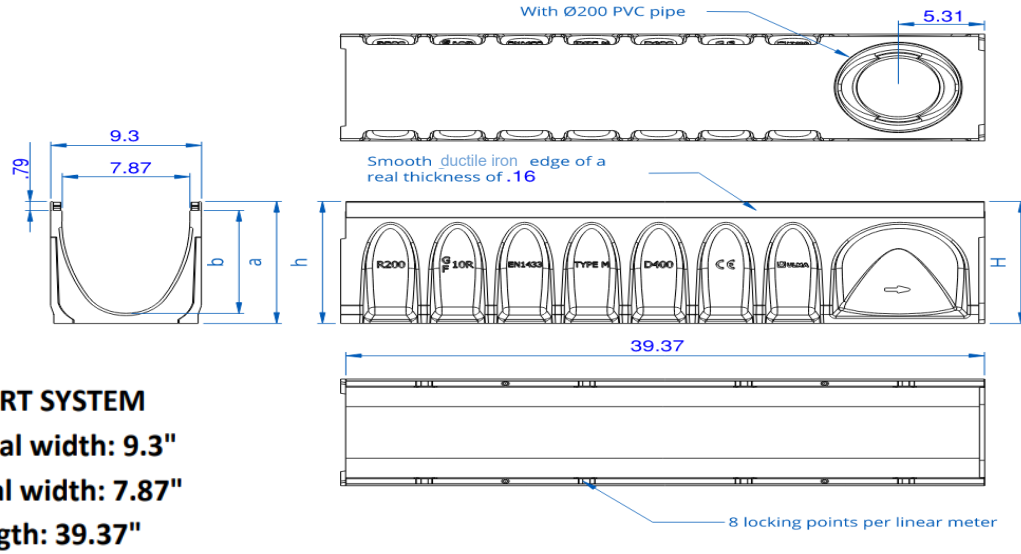


<b>Number</b>  <b>ULM200</b>	<b>Series</b>  <b>MULTIV 200</b>
------------------------------------	--

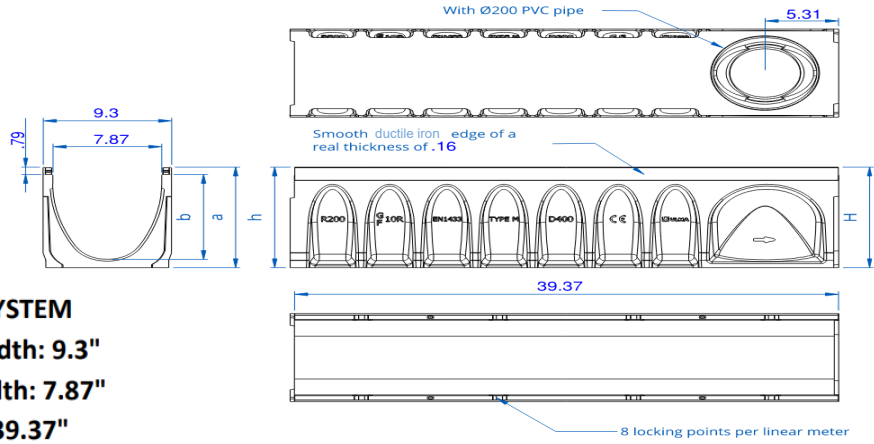


Channel Reference	Total Height (in)		Internal Height (in)		Hydraulic Section	Outlet	
	h	H	A	B		Vertical	Horizontal
R200MFG000R	6.7	6.7	5.04	5.04	31.6	7.87	—
R200MFG00R	8.66	8.66	7.01	7.01	44.02	7.87	—
R200MFG01	8.66	8.86	7.01	7.2	45.65	7.87	—
R200MFG02	8.86	9.06	7.2	7.4	46.97	7.87	—
R200MFG03	9.06	9.25	7.4	7.6	48.21	7.87	—
R200MFG04	9.25	9.45	7.6	7.8	49.5	7.87	—
R200MFG05	9.45	9.65	7.8	8	50.7	7.87	—
R200MFG06	9.65	9.84	8	8.2	52	7.87	—
R200MFG07	9.84	10.04	8.2	8.4	53.24	7.87	—
R200MFG08	10.04	10.24	8.4	8.6	54.5	7.87	—
R200MFG09	10.24	10.43	8.6	8.8	55.8	7.87	—
R200MFG10	10.43	10.63	8.8	9	57.04	7.87	—
R200MFG10R	10.63	10.63	9	9	57.04	7.87	—

<b>Manufacturer</b>  	<b>Specification</b>  ULMA ULM200 Polymer Concrete linear drainage channel DUCTILE IRON STEEL EDGE Load Class up to D400, EN 1433 Standard Vertically and Horizontally channel aligning tongue and groove joints
-----------------------------	---


DISCLAIMER - The customer and the customer's architects, engineers, consultants, and other professionals are completely responsible for the selection installation and maintenance of any product purchased from Trench Drain Supply and/or its manufacturers. TRENCH DRAIN SUPPLY MAKES NO WARRANTY, EXPRESS OR IMPLIED, AS TO THE SUITABILITY, DESIGN, MERCHANTABILITY, OR FITNESS OF THE PRODUCT FOR CUSTOMERS APPLICATION. The drawing and information provided remain the property and copyright of the manufacturer listed. The manufacturer reserves the right to modify specification without notice.

<b>Number</b>  <b>ULM200</b>	<b>Series</b>  <b>MULTIV 200</b>
------------------------------------	--



**SPORT SYSTEM**  
**External width: 9.3"**  
**Internal width: 7.87"**  
**Length: 39.37"**

Channel Reference	Total Height (in)		Internal Height		Hydraulic Section in. sq.	Outlet	
	h	H	A	B		Vertical	Horizontal
R200MFG11	10.63	10.83	9	9.2	60.22	7.87	—
R200MFG12	10.83	11.02	9.2	9.4	61.38	7.87	—
R200MFG13	11.02	11.22	9.4	9.6	62.62	7.87	—
R200MFG14	11.22	11.42	9.6	9.8	63.8	7.87	—
R200MFG15	11.42	11.62	9.8	10	65.02	7.87	—
R200MFG16	11.62	11.81	10	10.2	66.2	7.87	—
R200MFG17	11.81	12.01	10.2	10.4	67.43	7.87	—
R200MFG18	12.01	12.2	10.4	10.6	68.6	7.87	—
R200MFG19	12.2	12.4	10.6	10.8	69.83	7.87	—
R200MFG20	12.4	12.6	10.8	10.94	71	7.87	—
R200MFG20R	12.6	12.6	10.94	10.94	71	7.87	—
R200MFG30R	14.6	14.6	12.91	12.91	84.01	7.87	—

<b>Manufacturer</b>  	<b>Specification</b>  ULMA ULM200 Polymer Concrete linear drainage channel DUCTILE IRON EDGE Load Class up to D400, EN 1433 Standard Vertically and Horizontally channel aligning tongue and groove joints
--	---

DISCLAIMER - The customer and the customer's architects, engineers, consultants, and other professionals are completely responsible for the selection installation and maintenance of any product purchased from Trench Drain Supply and/or its manufacturers. TRENCH DRAIN SUPPLY MAKES NO WARRANTY, EXPRESS OR IMPLIED, AS TO THE SUITABILITY, DESIGN, MERCHANTABILITY, OR FITNESS OF THE PRODUCT FOR CUSTOMERS APPLICATION. The drawing and information provided remain the property and copyright of the manufacturer listed. The manufacturer reserves the right to modify specification without notice.